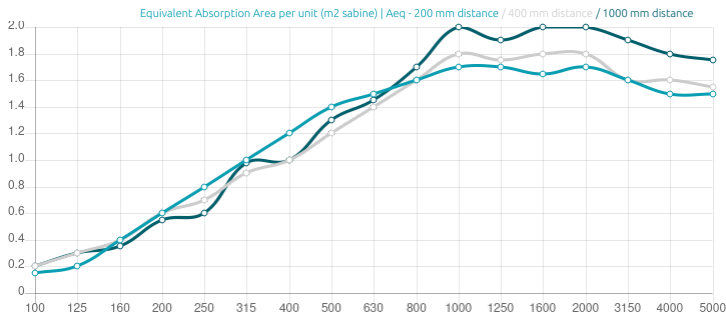
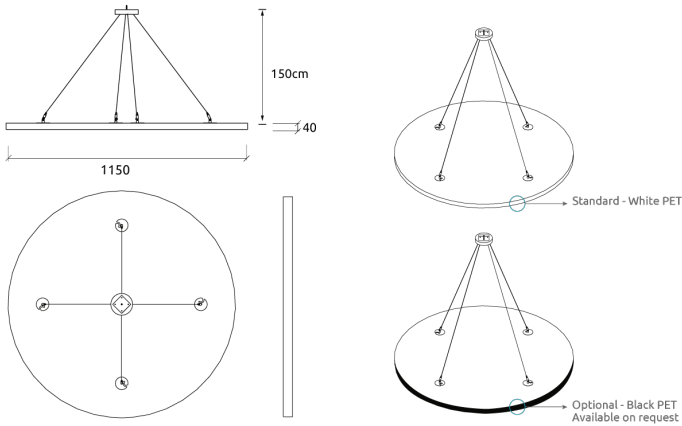


Performance



Technical Information



Features

Absorption Range: 350 Hz to 8000 Hz
 Acoustic Class: B | (aw) = 0,85
 Recycled PET absorption - Class 1 product according to the OEKO-TEX® Standard 100.

This product is available in the following Fire Rates:
 FG | Furniture Grade
 FR | Fire Rated

PRODUCT COMPOSITION:

Aura F CIR - Cloud | Suede Fabric Finishes (FG):
 - Suede Acoustic Fabric
 - Sound PET acoustic core - Euro Class B

Aura F CIR - Cloud | Glazed PET Finishes (FR)
 - Glazed Sound PET - Euro Class B

Aura F CIR - Cloud | Felted Fabric Finishes (FR)
 - Felted Acoustic Fabric
 - Sound PET acoustic core - Euro Class B

Installation:
 - Ceiling suspension kit included

Compatible with Gripple Angel™ Hanger

Dimensions:

FG - SF | 1150x1150x40mm | 2.14 Kg
 FR - GP | 1150x1150x40mm | 2.0 Kg
 FR - TT | 1150x1150x40mm | 2.34 Kg

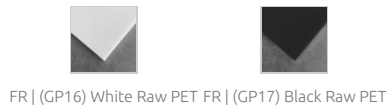
Aura Cloud is a lightweight acoustic panel with impressive performance. Available in both single or multiple-point fully adjustable hanging systems, giving you effortless and fast installation. This cloud is a perfect choice for large open environments that need broadband reverberation time control. Aura Cloud is available in our standard fabric finishes and also in a wide pallet of printed textures that make it a versatile solution, adaptable to any context.

Product finishes

(FG - SF) Suede Fabric Finishes



(FR - GP) Glazed PET Finish



(FR - TT) Felted Fabric Finishes



Purpose

- RT reduction
- Flutter echo control
- Improving speech intelligibility
- Effective broadband absorption

Recommended for

- Office meeting room
- Conference room
- Open workspace
- Lobbies