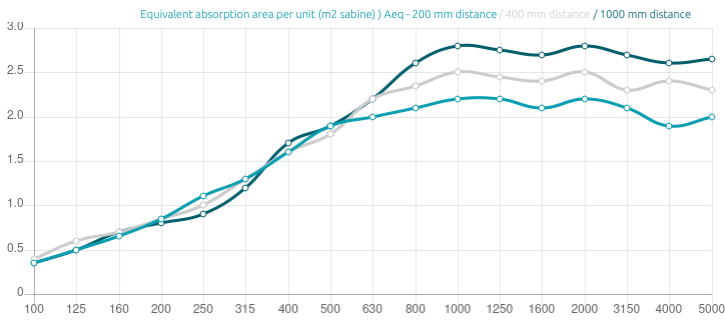
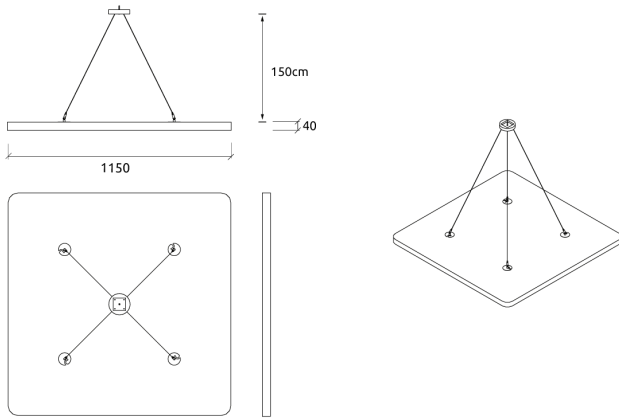


Performance



Technical Information



Features

Absorption Range: 350 Hz to 8000 Hz
Acoustic Class: B | (aw) = 0,85

Recycled PET absorption- Class 1 product according to the OEKO-TEX@ Standard 100.

This product is available in the following Fire Rate:
FR | Fire Rated

PRODUCT COMPOSITION:

- Myriad Print Double SQR - Cloud - Textures
- Print Finishes
- Sound PET acoustic core - Euro Class B

Installation:

- Ceiling suspension kit included

Compatible with Gripple Angel TM Hanger

The PET core is a material made entirely from recycled PET plastic, that undergoes an environmentally-friendly transformation process into the non-woven acoustic core we use in this panel. To keep this process as efficient as possible, the thickness of the product may vary slightly (±3mm).

Dimensions:

FR - PP | 1150x1150x40mm | 2.5 Kg

Myriad Cloud is a continuation of the Myriad range, allowing you to extend your creativity across any part of your design. This lightweight acoustic panel has impressive performance, making it an ideal solution for large open environments that need broadband reverberation time control. Available in both single or multiple-point fully adjustable hanging systems, giving you fast and effortless installation.

Myriad Cloud is available in our standard fabric finishes and also in a wide pallet of printed textures that make it a versatile solution, adaptable to any context.

Product finishes

(FR - PP) PET Print Finishes



Myriad Concrete Print



Myriad Dunes Print



Myriad Marble Print



Myriad Plaster Print



Myriad Vintage Wood
Print



Purpose

- RT reduction
- Flutter echo control
- Improving speech intelligibility
- Effective broadband absorption

Recommended for

- Office meeting room
- Conference room
- Open workspace
- Lobbies