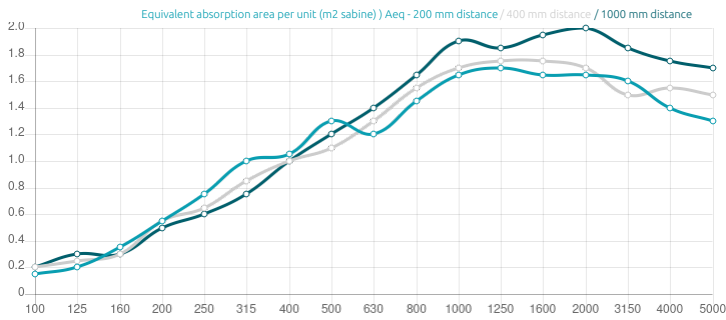
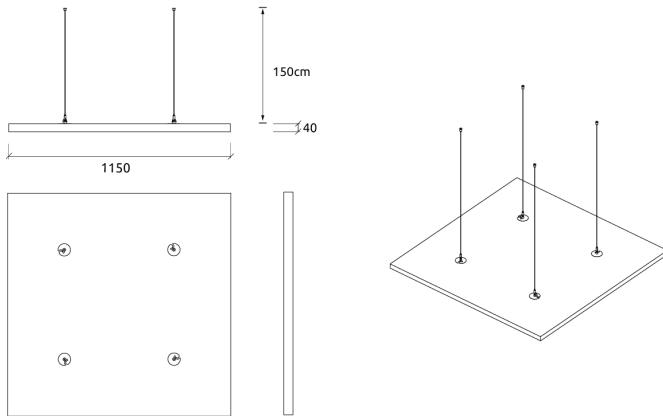


Performance



Technical Information



Features

Absorption Range: 350 Hz to 8000 Hz  
Acoustic Class: B | (aw) = 0,85

Recycled PET absorption- Class 1 product according to the OEKO-TEX@ Standard 100.

This product is available in the following Fire Rate:  
FR | Fire Rated

PRODUCT COMPOSITION:

- Aura Print Double SQR - Cloud - Textures
- Print Finishes
- Sound PET acoustic core - Euro Class B

Installation:

- Ceiling suspension kit included

Compatible with Gripple Angel TM Hanger

The PET core is a material made entirely from recycled PET plastic, that undergoes an environmentally-friendly transformation process into the non-woven acoustic core we use in this panel. To keep this process as efficient as possible, the thickness of the product may vary slightly (±3mm).

Dimensions:

FR - PP | 1150x1150x40mm | 2.5 Kg

Aura Cloud is a lightweight acoustic panel with impressive performance. Available in both single or multiple-point fully adjustable hanging systems, giving you effortless and fast installation. This cloud is a perfect choice for large open environments that need broadband reverberation time control. Aura Cloud is available in our standard fabric finishes and also in a wide pallet of printed textures that make it a versatile solution, adaptable to any context.

### Product finishes

(FR - PP) PET Print Finishes



Aura Concrete Print



Aura Dunes Print



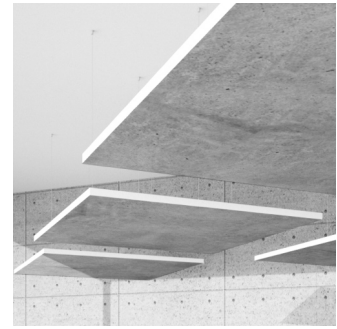
Aura Marble Print



Aura Plaster Print



Aura Vintage Wood Print



### Purpose

- RT reduction
- Flutter echo control
- Improving speech intelligibility
- Effective broadband absorption

### Recommended for

- Office meeting room
- Conference room
- Open workspace
- Lobbies