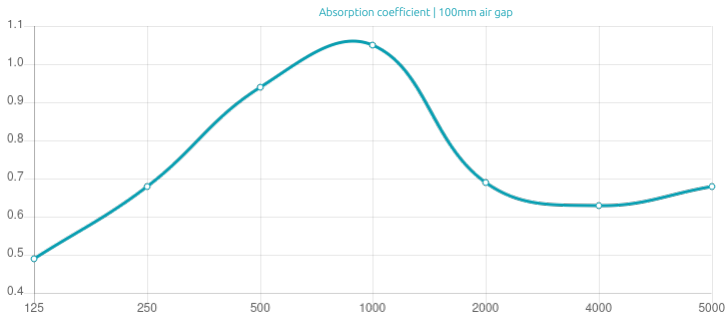
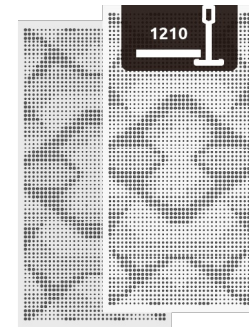
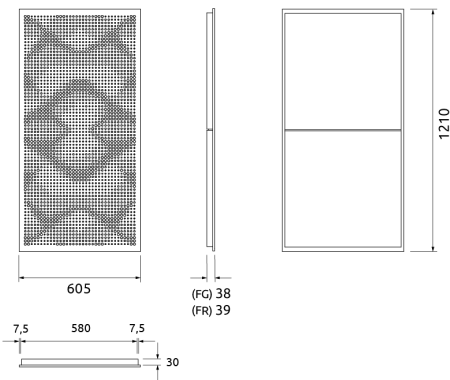


Performance



Technical Information



Features

Absorption Range: 350 Hz to 3150 Hz
Acoustic Class: C | (aw) = 0,7

This product is available in the following Fire Rates:

- FG | Furniture Grade
- FR | Fire Rated

PRODUCT COMPOSITION:

Verona RCT I | Natural Wood Veneer | Primer Finished HMDF (FG)
- Natural Wood Veneer | Primer Finished HMDF *
- Sound PET acoustic core - Euro Class B

Verona RCT I | Natural Wood Veneer | Lacquered Fire retardant HMDF (FR)
- Natural Wood Veneer | Lacquered Fire Retardant HMDF
- Sound PET acoustic core - Euro Class B

* finished with a white or black primer paint that gives it a raw, matte effect.

- Perforated area: 15%

Dimensions:

- FG - PP | 605x1210x38mm | 6.4 Kg
- FG - LW | 605x1210x38mm | 6.4 Kg
- FG - NW | 605x1210x38mm | 6.4 Kg
- FR - LW | 605x1210x39mm | 6.4 Kg
- FR - NW | 605x1210x39mm | 6.4 Kg

The refurbished Artnovion ceiling tile range is the perfect acoustic solution to apply on any T-frame grid system. This product line features adapted versions of the panel designs you love, all fully compatible with public building regulations and available in 4 different sizes – two for metric sized (M) and two for imperial sized (I) grid structures. Our ceiling tiles provide a simple, fast installation procedure in multiple environments such as shopping centers, offices, clinics and waiting rooms.

Product finishes

(FG - PP) Painted Primer Finishes



FG | (L11) Raw White



FG | (L12) Raw Black

(FG - LW) Lacquered Wood Finishes



FG | (L16) RAL 9003



FG | (L17) RAL 9005

(FG - NW) Natural Wood Finishes



FG | (W08) Wenge Natura



FG | (W09) Black Walnut Natura



FG | (W11) Okoumé Natura



FG | (W12) Ash Natura

(FR - LW) Lacquered Wood Finishes



FR | (L16) RAL 9003



FR | (L17) RAL 9005

(FR - NW) Natural Wood Finishes



FR | (W08) Wenge Natura



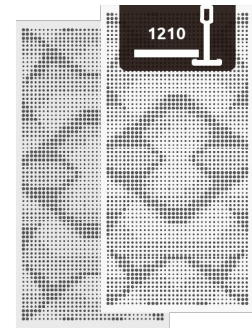
FR | (W09) Black Walnut Natura



FR | (W11) Okoumé Natura



FR | (W12) Ash Natura



Purpose

- RT Reduction
- Improving speech intelligibility
- High frequency absorption

Recommended for

- Office
- Hospitality
- Public Spaces
- Conference Room
- Auditorium