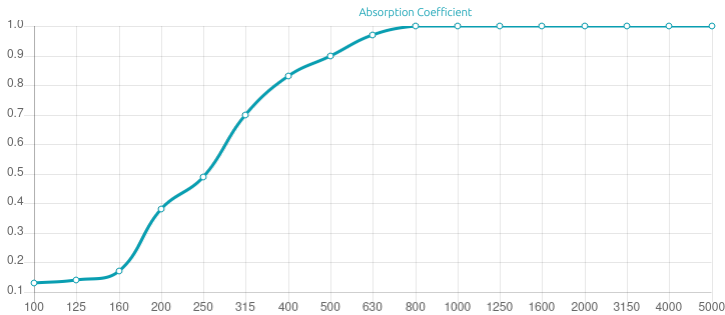
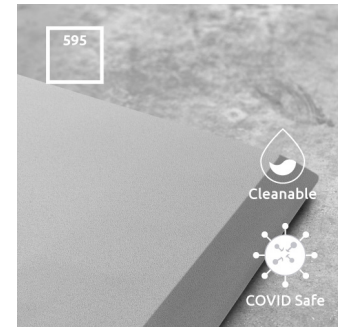
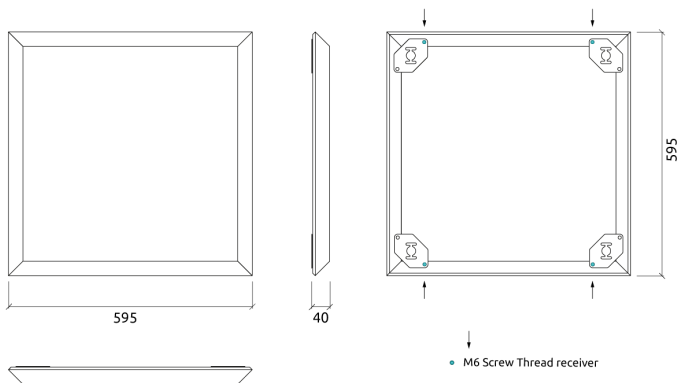




Performance



Technical Information



Features

Absorption Range: 315 Hz to 4000 Hz
Acoustic Class: B | (aw) = 0,80

The COVID-19 pandemic has challenged operational standards for all sectors of the economy. Infection control has always been a concern, particularly for Healthcare and Wellbeing Environments, but now, every industry faces the need for solutions that help ensure a "Covid-safe" workplace.

Artnovion's MEDLINE-Cleanable products were specifically designed to face this challenge.

The acoustic fabric used in this panel endures regular cleaning and disinfection with highly effective antibacterial and antiviral agents like alcohol solutions, bleach solutions, or sterilizing sprays and wipes.

Find the Cleaning instructions [here](#).

This product is available in the following

- Fire Rates:
- FG | Furniture Grade
- FR | Fire Rated
- FR | Fire Rated & COVID-19 Safe

PRODUCT COMPOSITION:

- Troy | Suede Fabric Finishes (FG)
 - Suede Acoustic Fabric
 - Marine grade plywood structural frame
 - Sound PET absorption layer

- Troy | Felted Fabric Finishes (FR)
 - Felted Acoustic Fabric
 - Fire Retardant HMDF structural frame
 - Sound PET absorption layer

- Troy | Twill Fabric Finish (FR & COVID-19 Safe)
 - Twill Acoustic fabric* | COVID-19 Safe
 - Fire Retardant HMDF structural frame
 - Sound PET absorption layer

*Certified to OEKO-TEX® Standard 100, BS EN 13501-1 B, s1, d0

Fixing system:

This panel is installed with an integrated fixing system, hung on screws.

Dimensions:

FG - SF | 595x595x45mm | 1.63 Kg

FR - TF | 595x595x45mm | 1.63 Kg

FR - TT | 595x595x45mm | 1.63 Kg

Noise in healthcare facilities is a well know problem with serious consequences. Acoustic levels in today's hospitals are the highest ever documented and have a tremendous impact on the privacy, comfort and stress levels of patients and staff. Even in well-being spaces, such as gyms, pools or spas; acoustic comfort plays a huge role in how beneficial and enjoyable our experience is.

Troy is a fabric-covered absorber, with a usable range of 350 Hz up to 4000 Hz.

Available in two different sizes (SQR and RCT) and in all our Suede, Weave and Twill fabric finishes, Troy can easily be arranged and patterned - the perfect opportunity to make your own bespoke designs. Its outer frame encloses all sides of the panel, that also has a simple, integrated fixing system, that installs the panel flush to the surface, which make this panel a perfect choice for ceiling applications, whether you're treating meeting room, a public corridor or even an auditorium.

Product finishes

(FG - SF) Suede Fabric Finishes



FG | (TM201) Grigio



FG | (TM202) Bianco



FG | (TM203) Noce



FG | (TM204) Gentian



FG | (TM205) Nero



FG | (TM206) Nebbia



FG | (TM207) Bordo



FG | (TM209) Pistacchio

(FR - TF) Twill Fabric Finishes | COVID-19 Safe (cleanable)



FR | (T61) Slate Grey



FR | (T62) Ivory



FR | (T65) Black



FR | (T66) Sand



FR | (T67) Burgundy



FR | (T74) Prussian Blue



FR | (T77) Eggshell

(FR - TT) Felted Fabric Finishes



FR | (TT211) Pearl



FR | (TT212) Granola



FR | (TT213) Rust



FR | (TT214) Clay



FR | (TT215) Cherry



FR | (TT216) Lime



FR | (TT217) Chocolate



FR | (TT218) Storm



FR | (TT219) Indigo Blue



FR | (TT220) Ash



FR | (TT223) Pewter



FR | (TT224) Espresso



FR | (TT225) Lemon



FR | (TT226) Honey



FR | (TT227) Spice



FR | (TT228) Orchid



FR | (TT229) Ruby



FR | (TT230) Kelly

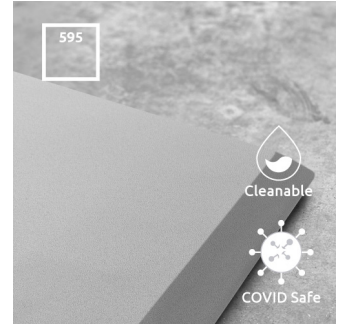


FR | (TT231) Cerulean



FR | (TT232) Crow

Troy SQR - Absorber



Purpose

- Noise Control
- RT reduction
- Flutter echo control
- Reducing excessive reverberation
- Improving speech intelligibility

Recommended for

Healthcare & Well-being

- Public Spaces
- Meeting Rooms
- Auditoriums
- Food Courts
- Public Corridors

Fixing Systems

Wall & Ceiling



+ FixArt Clip



+ GlueArt 2.0



+ Instant Fix Kit



+ FixArt Tube

Add-ons



+ FixArt Connect



+ FixArt Tube Lock