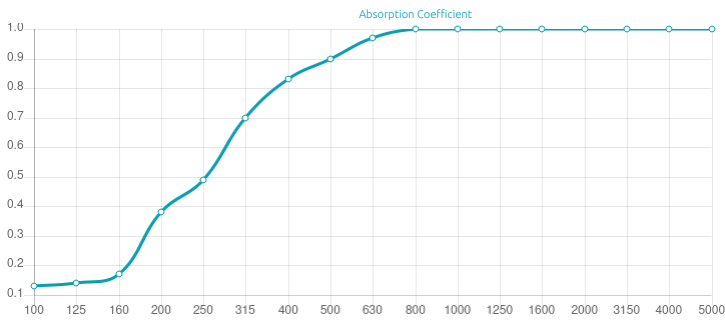
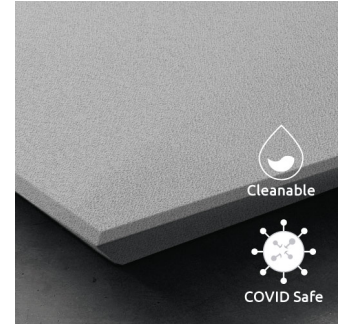
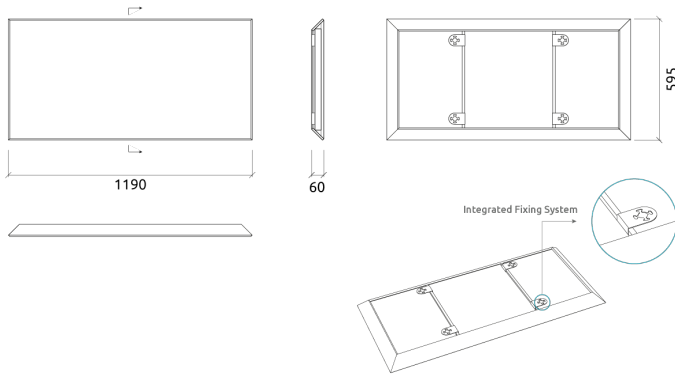


Performance



Technical Information



Features

Absorption Range: 350 Hz to 8000 Hz
 Acoustic Class: B | (aw) = 0,95
 Notice: COVID-19 Safe (clenable) only available on the Twill Finish.

This product is available in the following
 Fire Rate:
 FR | Fire Rated & COVID-19 Safe

PRODUCT COMPOSITION:

- Sparta Med CL | Twill Fabric Finish (FR & COVID-19 Safe)
- Twill Acoustic fabric* | COVID-19 Safe
- Fire Retardant HMDF Structural Frame
- Sound PET absorption layer

*Certified to OEKO-TEX® Standard 100, BS EN 13501-1 B, s1, d0

Fixing system:
 This panel is installed with an integrated fixing system, hung on screws.

Dimensions:

FR - TF | 595x1190x45mm | 3.68 Kg

Noise in healthcare facilities is a well know problem with serious consequences. Acoustic levels in today's hospitals are the highest ever documented and have a tremendous impact on the privacy, comfort and stress levels of patients and staff. Even in well-being spaces, such as gyms, pools or spas; acoustic comfort plays a huge role in how beneficial and enjoyable our experience is.

Artnovion's pioneer MedLine offers high-quality acoustic solutions tailored to the strict requirements of these spaces. From panels made from hospital-grade anti-bacterial coatings, to extremely hard-wearing, washable, anti-odour finishes – the Medline caters to a wide market, solving acoustic issues in environments that - up to now – have been impossible to address.

Sparta is an acoustic panel with a simple design fashioned for an absorption treatment range from 350 Hz up to 8000 Hz.

The COVID-19 pandemic has challenged operational standards for all sectors of the economy. COVID-19 Safe (cleanable) available on the Twill Fabric Finish.

Product finishes

(FR - TF) Twill Fabric Finishes | COVID-19 Safe (cleanable)



FR | (T61) Slate Grey



FR | (T62) Ivory



FR | (T65) Black



FR | (T66) Sand



FR | (T67) Burgundy



FR | (T74) Prussian Blue



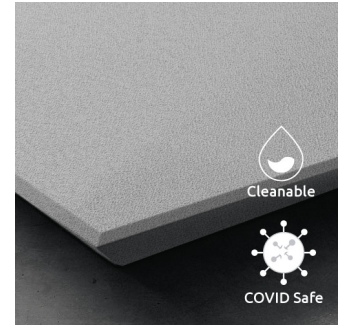
FR | (T75) Charcoal



FR | (T77) Eggshell

Sparta Med CL - Absorber

Fabric Absorber



Purpose

- Improved speech intelligibility
- Noise control
- Reducing excessive reverberation

Recommended for

- Healthcare & Well-being
- Public Spaces
- Meeting Rooms
- Auditoriums
- Food Courts
- Public Corridors