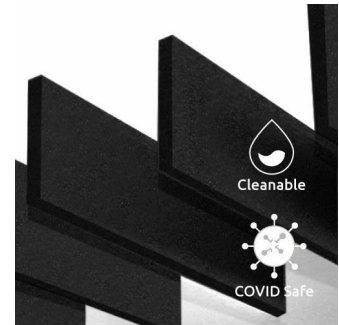
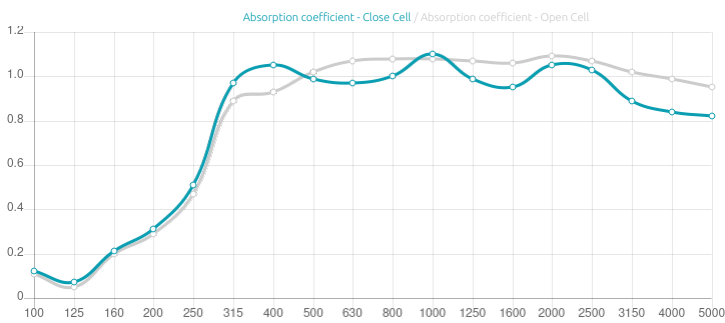
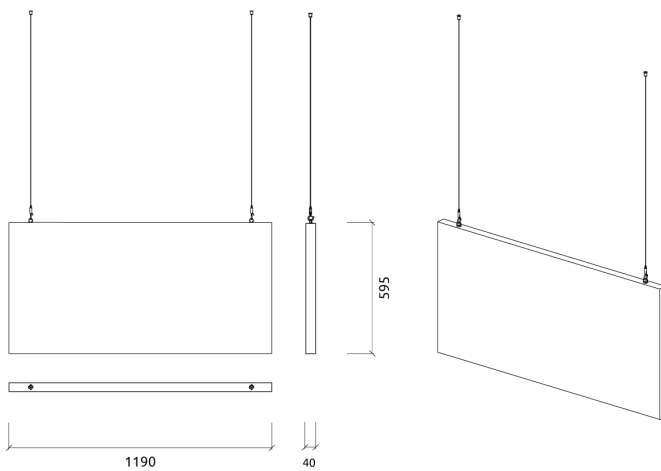




Performance



Technical Information



Features

Absorption Range: 350 Hz to 5000 Hz
Acoustic Class: C | $(\alpha_w) = 0,70$

This product is available in the following Fire Rate:
FR | Fire Rated*

PRODUCT COMPOSITION:

- Moritz | Polyethelene Foam (FR)
- Closed Cell | Open Cell
- Euroclass B s1,d0

Installation:

- Ceiling suspension kit included

Moritz is suspended with an easily adjustable cable system, that allows to hang the panel up to 1,5m from the ceiling.

Dimensions:

FR | 1190x595x40mm | 0.86 Kg

Moritz is a durable, semi-rigid closed-cell foam. It has an internal honeycomb-like structure that grants it exceptional acoustic performance. It is used to reduce reverberation in practically any type of environment, from high humidity areas such as swimming pools or outdoor spaces, to the most extreme high wear situations that require resistance to most chemicals and solvents, commonly found in healthcare environments or the manufacturing and service industries. Moritz is integrally fire retardant. Moritz Baffle is available in both open-cell structure, that boosts high-frequency absorption, or closed-cell structure for when the panel needs to be easily cleanable. Moritz is lightweight and self-supporting. It is easily installed with the included hanging system, that is height adjustable up to 1,5m.

Product finishes

(FR) Product Fire Grade - Fire Rated



FR | (F04) Bianco | Closed
Cell



FR | (F04) Bianco | Open
Cell



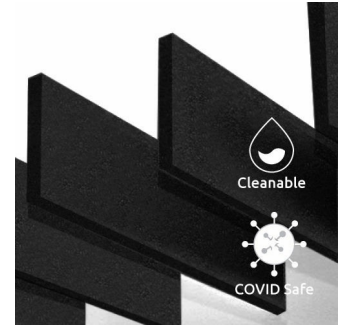
FR | (F05) Nero | Closed
Cell



FR | (F05) Nero | Open Cell

Moritz AE - Baffle

Acoustic washable foam



Purpose

- RT reduction
- Improving speech intelligibility
- High-frequency absorption
- Reducing excessive reverberation

Recommended for

- Industrial noise control
- Sanitary or harsh environments
- High humidity environments
- Outdoor spaces