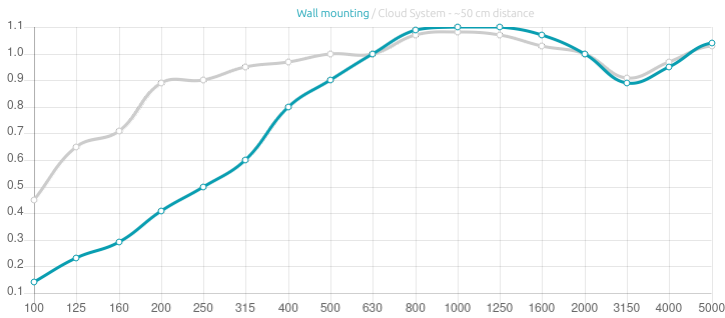
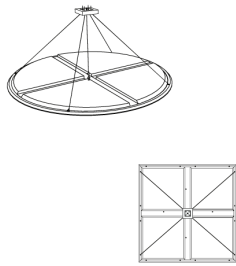
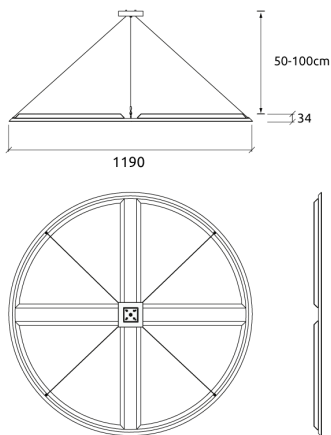


**Performance**



**Technical Information**



**Features**

Noise in healthcare facilities is a well know problem with serious consequences. Acoustic levels in today's hospitals are the highest ever documented and have a tremendous impact on the privacy, comfort and stress levels of patients and staff. Even in well-being spaces, such as gyms, pools or spas; acoustic comfort plays a huge role in how beneficial and enjoyable our experience is.

The COVID-19 pandemic has challenged operational standards for all sectors of the economy.

Infection control has always been a concern, particularly for Healthcare and Wellbeing Environments, but now, every industry faces the need for solutions that help ensure a "Covid-safe" workplace. Artnovion's MEDLINE-Cleanable products were specifically designed to face this challenge.

The acoustic fabric used in this panel endures regular cleaning and disinfection with highly effective antibacterial and antiviral agents like alcohol solutions, bleach solutions, or sterilizing sprays and wipes.

Notice: COVID-19 Safe (cleable) only available on the Twill Finish. Find the Cleaning instructions [here](#).

Absorption Range: 350Hz to 8000 Hz  
Acoustic Class: B | (aw) = 0,85

This product is available in the following

Fire Rates:

FG | Furniture Grade

FR | Fire Rated

FR | Fire Rated & COVID-19 Safe

**PRODUCT COMPOSITION:**

- Azores AE | Suede Fabric Finishes (FG)
- Suede Acoustic Fabric
- Marine grade plywood structural frame
- Sound PET absorption layer

- Azores AE | Felted Fabric Finishes (FR)
- Felted Acoustic Fabric
- Fire Retardant HMDF structural frame
- Sound PET absorption layer

- Azores AE | Twill Fabric Finish (FR & COVID-19 Safe)
- Twill Acoustic fabric\* | COVID-19 Safe
- Fire Retardant HMDF structural frame
- Sound PET absorption layer

\*Certified to OEKO-TEX® Standard 100, BS EN 13501-1 B, s1, d0

**Dimensions:**

- FG - SF | 1190x1190x34mm | 5.06 Kg
- FR - TF | 1190x1190x34mm | 5.36 Kg
- FR - TT | 1190x1190x34mm | 5.36 Kg

The Azores AE Range represents freedom. Freedom to create. Freedom to play. Freedom to design your perfect acoustic treatment. The Range of 7 shapes and 21 Colours was conceived to unleash your inner creativity - throughout Walls, ceilings and clouds. The Azores AE range is universally compatible - and compatible with the rest of the Artnovion range. Azores is designed to treat first reflections, or to get the perfect RT in your space. With fully mechanical, adjustable fixing systems - creating your dream environment has never been easier. Each panel has strategically placed threaded inserts, compatible with all M6 accessories - from bolts and threaded bar to hooks and wire tensioners.



**Product finishes**

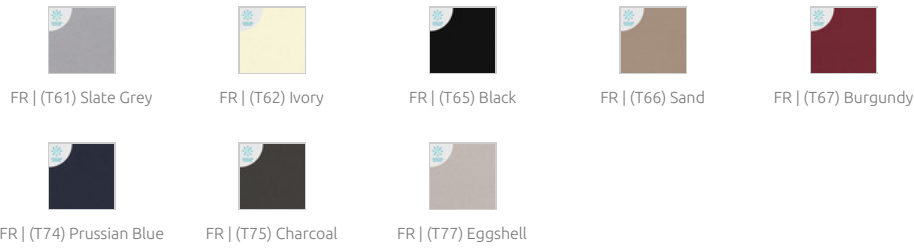
**(FG - SF) Suede Fabric Finishes**



**Purpose**

- Noise Control
- Flutter echo control
- Reducing excessive reverberation
- Improving speech intelligibility

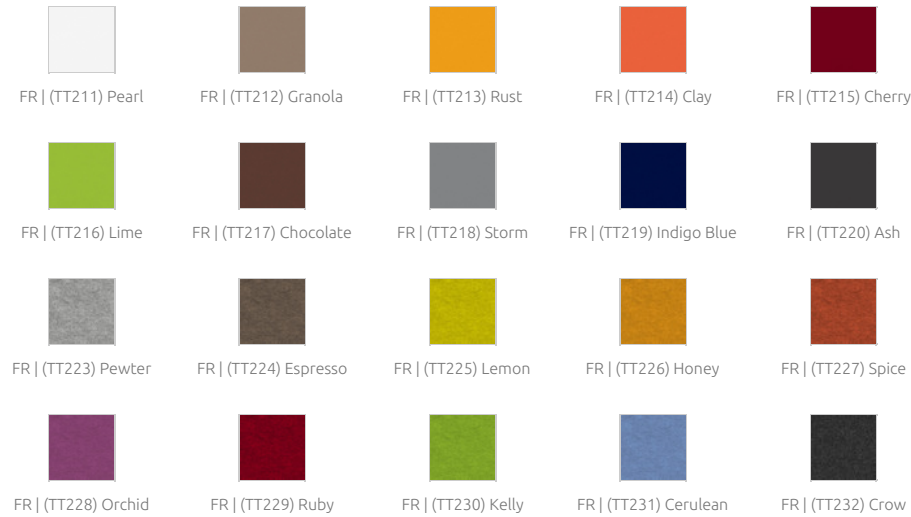
**(FR - TF) Twill Fabric Finishes | COVID-19 Safe (cleanable)**



**Recommended for**

- Healthcare & Well-being
- Public Spaces
  - Meeting Rooms
  - Auditoriums
  - Food Courts
  - Public Corridors

**(FR - TT) Felted Fabric Finishes**



**Fixing Systems**

Wall & Ceiling

- + GlueArt 2.0
- + Instant Fix Kit

Ceiling

- + FixArt Cloud

Add-ons

- + FixArt Connect