

FixArt Foam

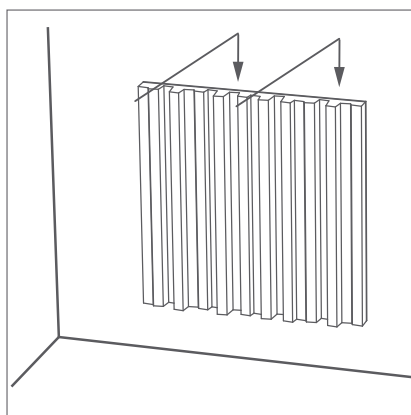
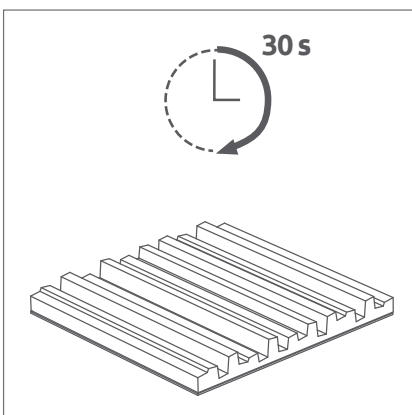
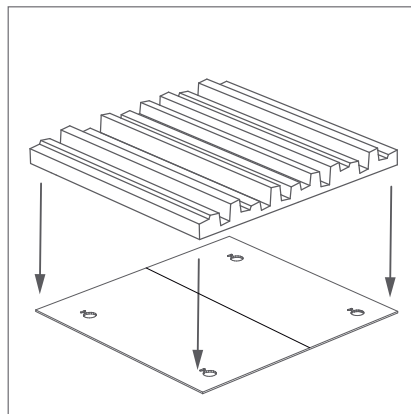
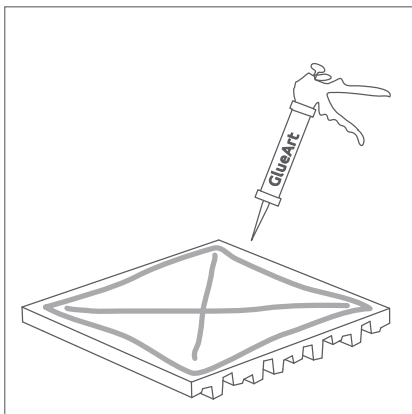
Fixing Systems
RESIDENTIAL & Hi Fi
PRO AUDIO & STUDIO

Specifications

Each Box contains 5 FixArt Foam and 1 tube of GlueArt 2.0.
Installs 5 panels (panel size 595x595 mm).

This sytem is compatible with flat foam panels (Agad, Thor, Myron E, etc.)

Artnovion FixArt range brings versatile solutions for panel mounting. With the customer in mind, we developed a reliable, simple, universal system to install panels. FixArt Foam Kit is purely an adaptor between an chemical and mechanical interface. Designed to keep your walls intact, providing a sturdy alternative to glueing panels to your walls. Perfect for temporary instalations, or for rented studios and rooms. Simply glue your foam panel to the supplied board, and hang it off screws on your wall or ceiling.



Description

Each Box contains

- 5 FixArt Foam and 1 tube of GlueArt 2.0.
- installs 5 panels (panel size 595x595 mm).

This sytem is compatible with flat foam panels (Agad, Thor, Myron E, etc.)



hello@artnovion.com
www.artnovion.com