



Fabric Side Cover Kit

Fixing Systems

RESIDENTIAL & Hi Fi
PRO AUDIO & STUDIO
ARCHITECTURE & ENGINEERING

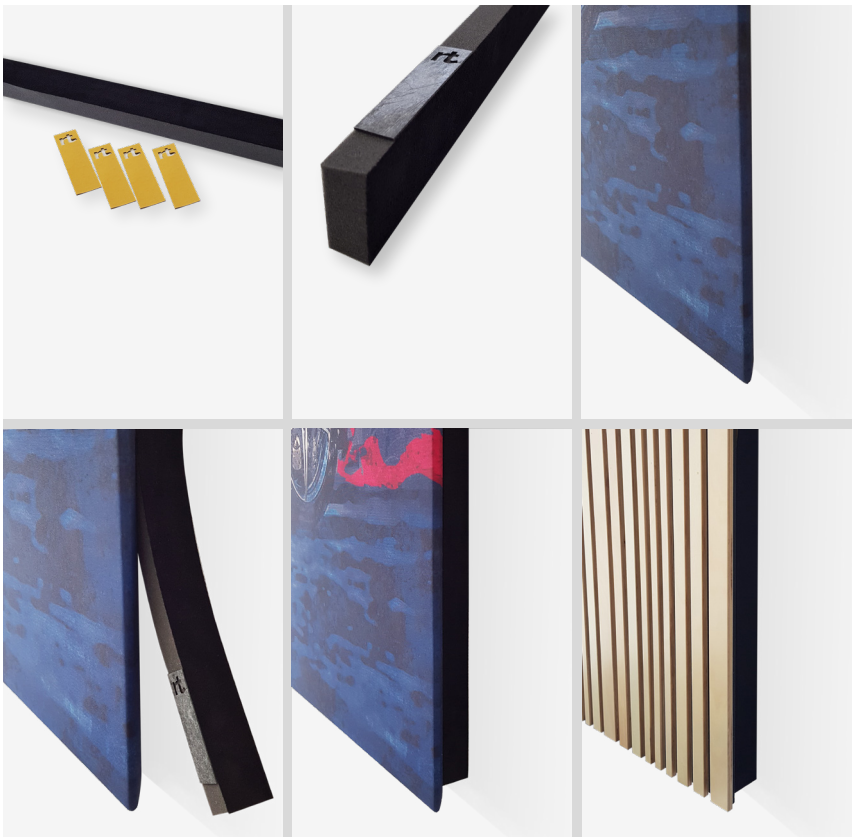
Specifications

1 Kit| Each kit contains 2 Fabric Side cover and 16 self-adhesive pads.

Dimensions: 2380x43x20mm

The Fabric Side cover is a simple foam insert, designed to close off the edges of absorber panels installed with a FixArt systems. It is available in a select of fabric finishes, that match or compliment our standard range of finishes.

It is easily installed with self-adhesive pads, attached to the back of the absorber frame. It comes in 2380mm lengths, and is easily cut to fit smaller arrays.





Fabric Side Cover Kit

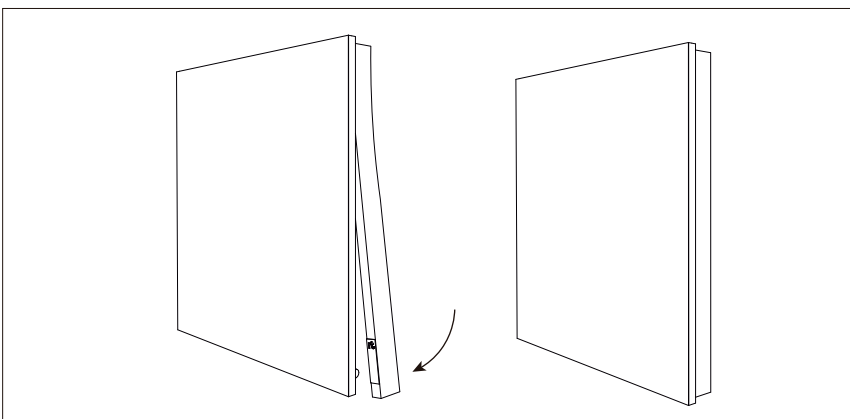
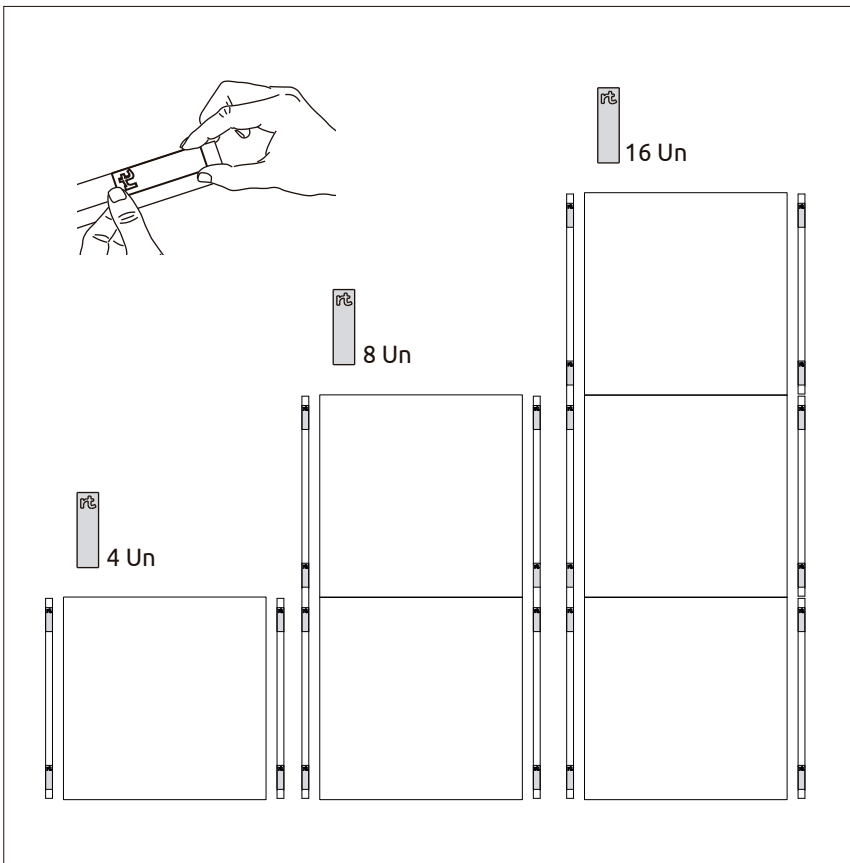
Fixing Systems

RESIDENTIAL & Hi Fi
PRO AUDIO & STUDIO
ARCHITECTURE & ENGINEERING

Instructions

Applying self-adhesive pad:

- 1 Array - 4 self-adhesive pad
- 2 Arrays - 8 self-adhesive pad
- 3 Arrays - 16 self-adhesive pad



hello@artnovion.com
www.artnovion.com