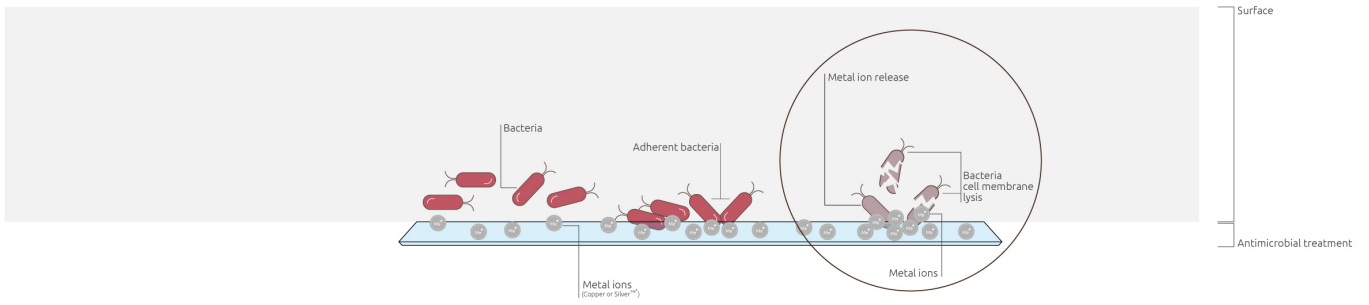
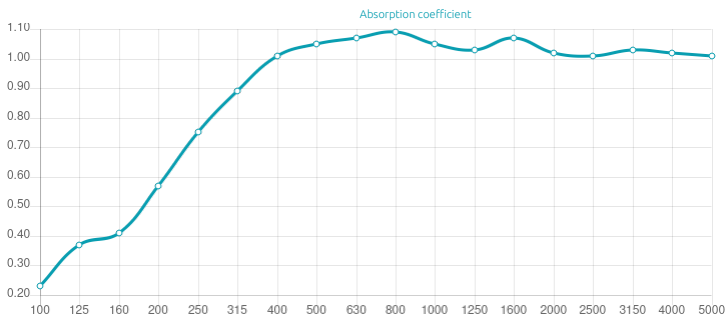


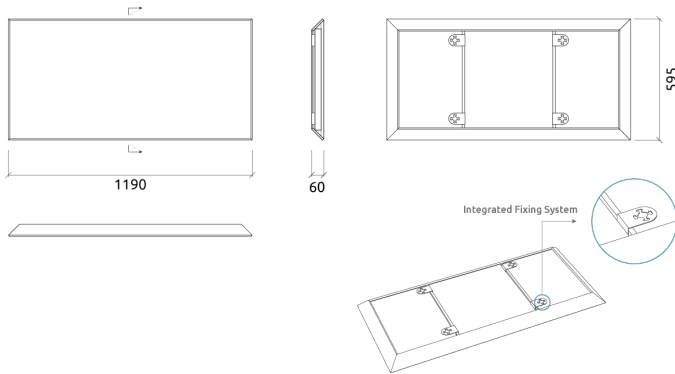
**Metal Ion Antimicrobial Mechanism**



**Performance**



**Technical Information**



**Features**

Type: Absorber  
 Absorption Range: 350 Hz to 8000 Hz  
 Acoustic Class: B | (aw) = 0,95

This product is available in the following Fire Rate:  
 FG | Furniture Grade  
 FR | Fire Rated

**PRODUCT COMPOSITION:**

- Sparta Med | Fire Retardant Acoustic Bioactive Fabric (FG)
- Fire Retardant Acoustic Bioactive Fabric (FG)
- Marine Grade Plywood Structural Frame
- Sound PET acoustic core - Euro Class B

- Sparta Med | Fire Retardant Acoustic Bioactive Fabric (FR)
- Fire Retardant Acoustic Bioactive Fabric
- Fire Retardant HMDF Structural Frame

**Dimensions:**

- FG - TB | 595x1190x45mm | 3.68 Kg
- FR - TB | 595x1190x45mm | 3.68 Kg

Noise in healthcare facilities is a well know problem with serious consequences. Acoustic levels in today's hospitals are the highest ever documented and have a tremendous impact on the privacy, comfort and stress levels of patients and staff. Even in well-being spaces, such as gyms, pools or spas; acoustic comfort plays a huge role in how beneficial and enjoyable our experience is.

Artnovion's pioneer MedLine offers high-quality acoustic solutions tailored to the strict requirements of these spaces. From panels made from hospital-grade anti-bacterial coatings, to extremely hard-wearing, washable, anti-odour finishes – the Medline caters to a wide market, solving acoustic issues in environments that - up to now – have been impossible to address.

Sparta is an acoustic panel with a simple design fashioned for an absorption treatment range from 350 Hz up to 8000 Hz.

### Product finishes

#### (FG - TB) Antimicrobial Fabric Finishes



FG | (TB139) Daisy



FG | (TB140) Sunflower



FG | (TB141) Midnight Blue



FG | (TB142) Deep blue



FG | (TB143) Mint



FG | (TB145) Chamomile



FG | (TB146) Cool Grey



FG | (TB147) Still Grey

#### (FR - TB) Antimicrobial Fabric Finishes



FR | (TB139) Daisy



FR | (TB140) Sunflower



FR | (TB141) Midnight Blue



FR | (TB142) Deep Blue



FR | (TB143) Mint



FR | (TB145) Chamomile



FR | (TB146) Cool Grey



FR | (TB147) Still Grey



### Purpose

- Improved speech intelligibility
- Noise control
- Reducing excessive reverberation

### Recommended for

- Meeting Rooms
- Auditoriums
- Food Courts
- Public Corridors
- Receptions
- Waiting Rooms